



INTELPRO ENGINEERING

Company Profile





ABOUT US

INTELPRO CNC CONSULTING AND ENGINEERING

has been in existence since 1996.

OUR MISSION

Is to produce high quality and durable engineering products with long-lasting effect at competitive prices.

Produce a range of specialist engineering services to a diverse range of engineering industries.

WE AIM

at being a market contender in engineering in South Africa. Our engineering experience spans more than 23 years' in various areas of engineering.

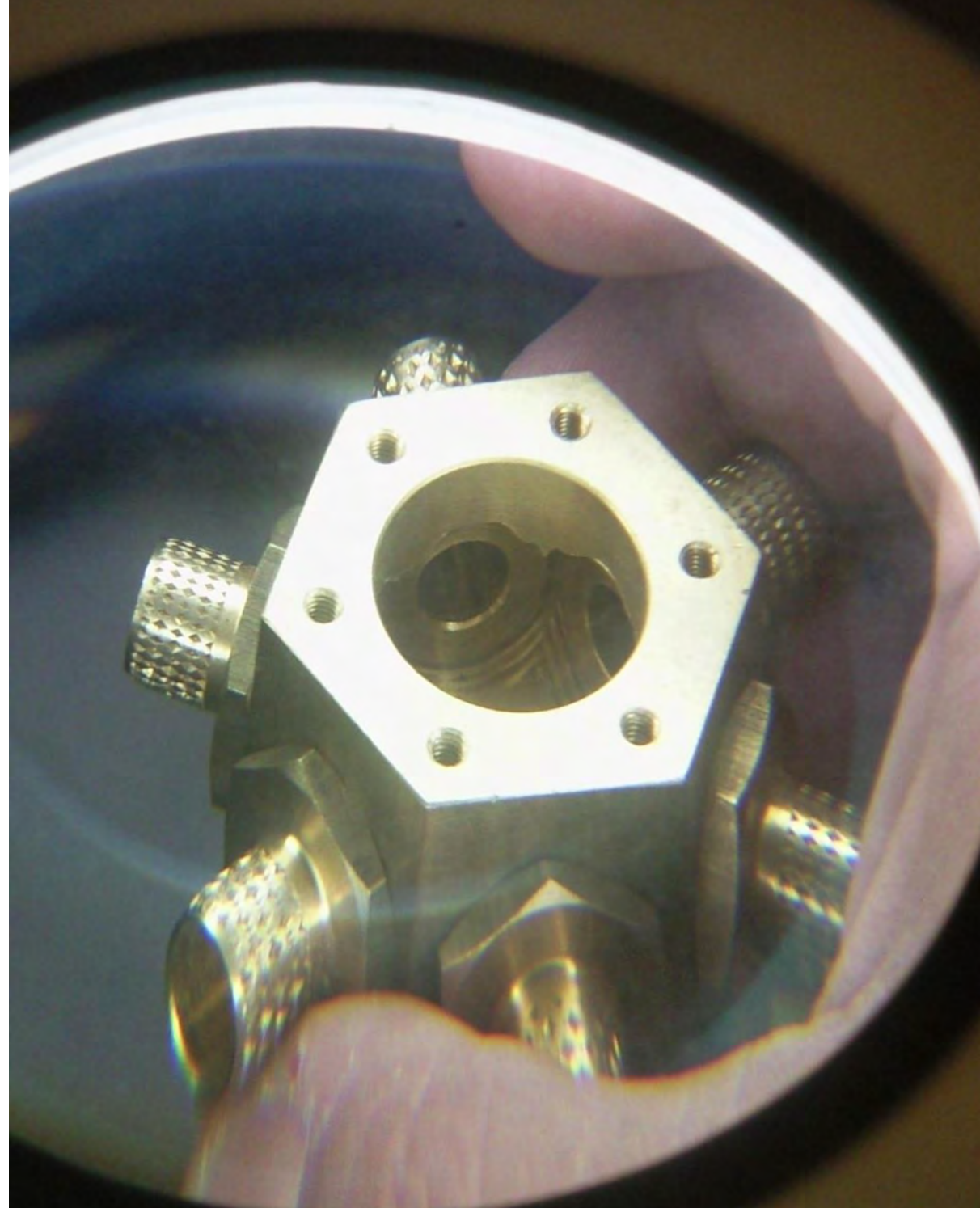
Intelpro is situated in Gauteng and has its operations;
- the manufacturing facility in Randburg.
The company focuses on the manufacturing of components for the transport, mining, construction and related industries.

SERVICES

Our success has been based on proven principles of engineering, -manufacturing various components for the automotive, mining and construction industries.

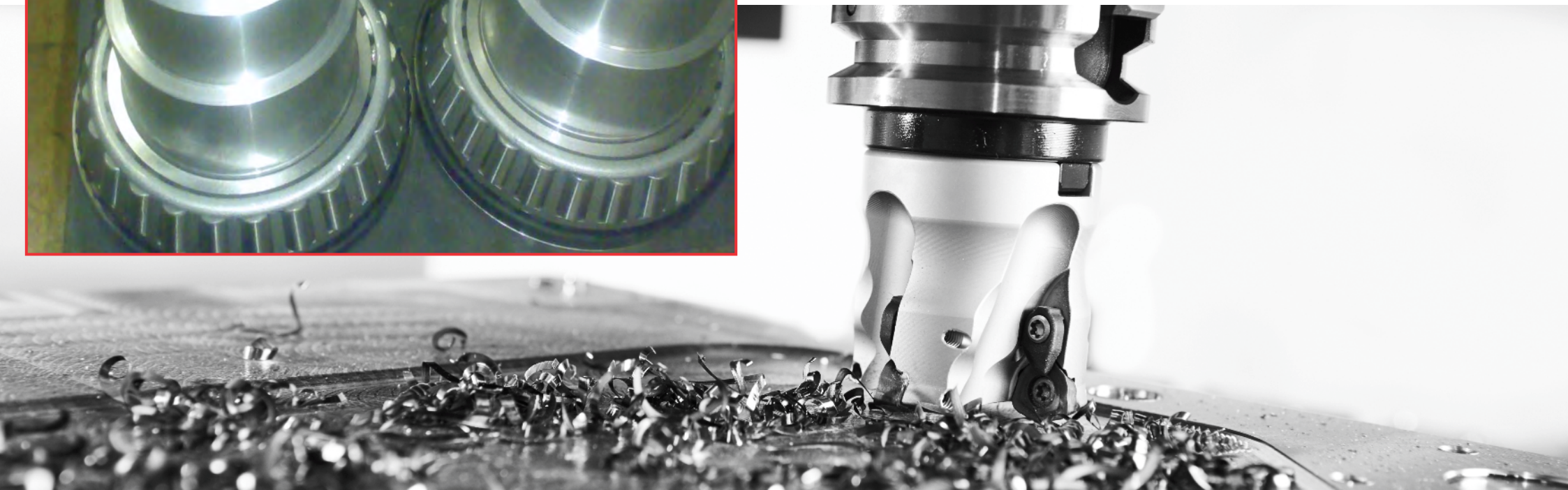
Operation with Stainless Steel (303, 304 an 316) is one of the strongest lines for the company's production process.

The company also conducts casting machining and pulleys production, bogies wheels and carriages



SPECIALITIES

- CNC Machining
- Fabrication
- CNC Sheet Metal Work
- CNC Turning
- CNC Milling including objects bigger than 5 meters
- CNC Plasma cutting
- Manufacturing of drilling Bit Blanks as per customer's specification
- Machining of Stellite Valves
- CNC CAAd-CAM Technology development (Optimization Tasks)



OTHER SUPPLIES AND MANUFACTURING



- Flameproof Equipment (Transformers and Accessories)
- Foremost cushion connectors
- Rotary Deck Bushing
- Bearing units
- Bore mill couplings/crushers
- Brushing for rock drills
- Brushing for trater machine
- Bushing
- Engineering bearing housing
- High pressure pump parts
- Hydraulic components
- Underground drilling parts
- High pressure pump parts
- Bearing units
- Studs
- Valve adapters
- Wheel assemblies for trains
- Wheel assemblies for mining trailers
- Wheel hubs
- Cradle plates
- Water pumps
- Conveyor rollers (idlers)
- Panels



CURRENT EQUIPMENT LIST DEMONSTRATION OF CAPABILITIES



CURRENT EQUIPMENT LIST DEMONSTRATION OF CAPABILITIES

- 4 X CNC MULTI-AXIS TURNING CENTRES WITH MAX SWING 500MM
- 3 X CNC MACHINING CENTRES WITH MAX TRAVEL 5500 MM
- 1 X CNC PLASMA CUTTER WITH MAX TRAVEL 2500 M
- 2 X CONVENTIONAL LATHE WITH MAX SWING 600MM AND DISTANCE BETWEEN CENTRES 2100MM
- 1 X CONVENTIONAL MILLING MACHINE MAX TRAVEL 10000 MM
- 2 X AUTOMATIC SAW WITH MAX BAR CAPACITY 300 MM
- 2 X CONVENTIONAL CUT-OFF SAWS
- 1 X FORKLIFT TRUCK FOR MATERIAL HANDLING UP TO 3500 KG
- 1 X DELIVERY TRUCK WITH FULL LOAD CAPACITY 2500 KG FULLY EQUIPPED WELDING AND FABRICATION WORKSHOP INCLUDING
- MIG, TIG AND ARGON WELDING CAPABILITIES, CONVENTIONAL PLASMA CUTTING, BENDING AND PRESS BRAKING



PRODUCTS

**EASY ATTACHED WHEELS ASSEMBLY
FOR MINING TRAILERS BOUNDED RUBBER -
GUARANTEED INDESTRUCTIBILITY**



PRODUCTS

At Intelpro our mission is to produce high quality durable goods with long-lasting effect. Intelpro produces extremely tough, durable, reliable and cost effective rubber-bound tyres.

Our success is based on proven engineering principles and years of hands-on experience. The tyres do not easily get damaged under heavy stress or wear in the rigorous environment.

If any damage is inflicted it will hardly affect the tyres performance, whereas ordinary tyres will need to be changed after a slight bump, Intelpro tyres are resilient and will continue to work on trailers indefinitely.

The new modification includes separate hub and wheel which are easy to replace on any wheel.



PRODUCTS



12 x M24 STUDS BEARING HUB



700MM DIAMETER WHEEL WITH
BOUNDED 25MM RUBBER LAYER,
200 MM WIDE



PRODUCTS

EASY ATTACHED WHEELS ASSEMBLY ASSEMBLY MODIFICATION

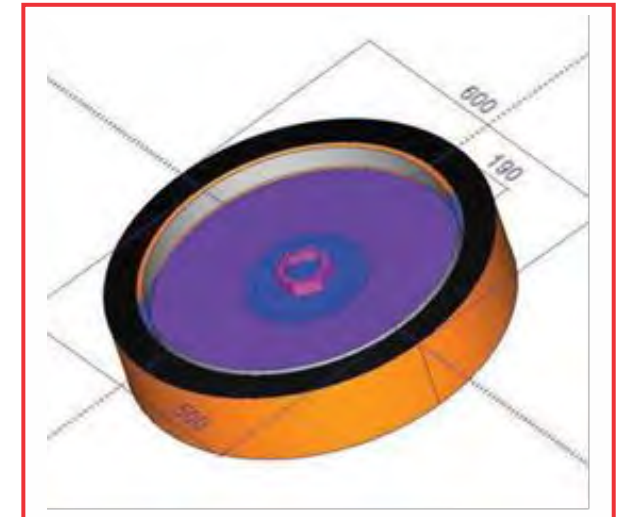
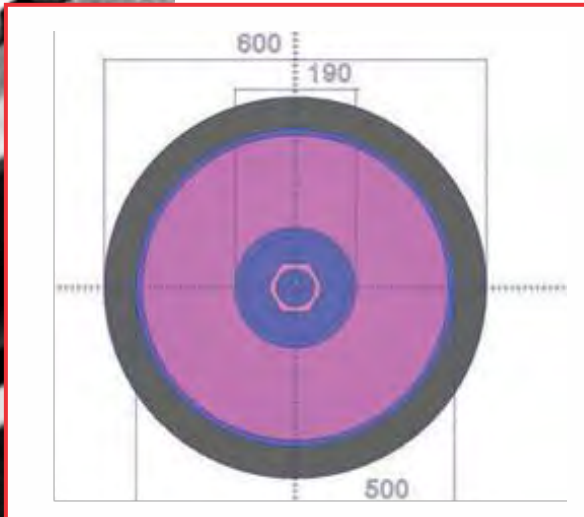
HEAVY DUTY

Od 700mm, 600mm and 500 mm,
double Concentrically located Inner
Axle rubber thickness 25 mm,
width of the wheel is 200mm
load per Wheel (subject to mounting
limitations) 14600 kg

PRODUCTS

REGULAR EASY ATTACHED WHEELS

Od 600mm and 500mm double
Concentrically located Inner Axle
rubber thickness 50 mm, width
of the wheel is 250mm load per
wheel (subject to mounting
limitations) 14600 kg

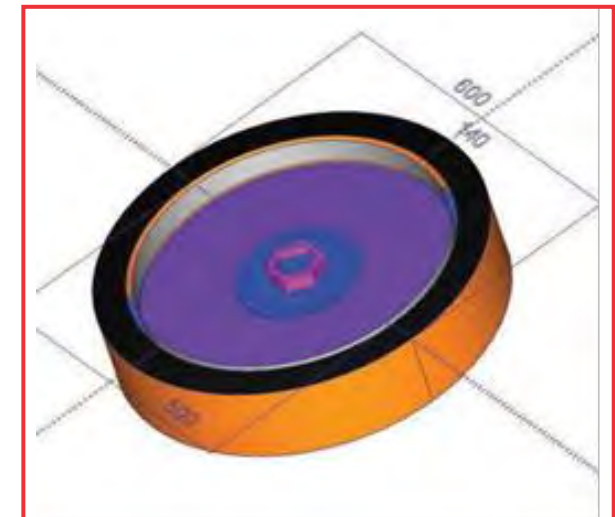
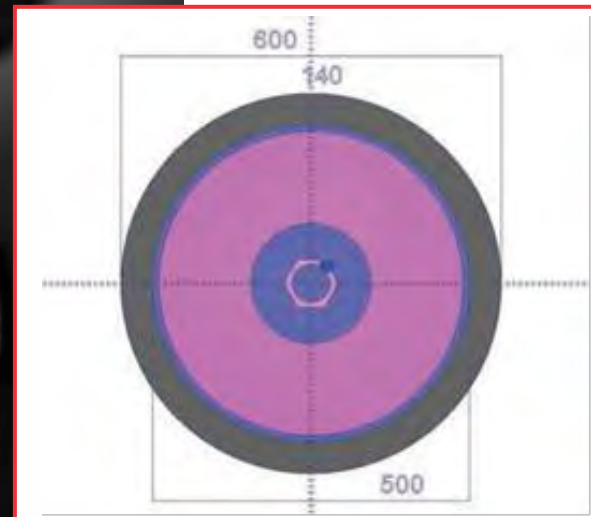


PRODUCTS

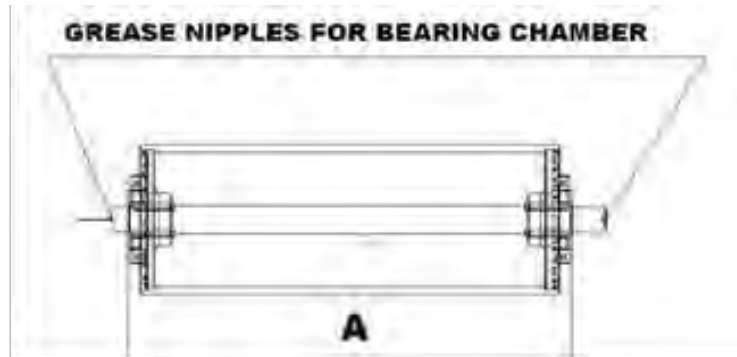
REGULAR EASY ATTACHED WHEELS

REGULAR DUTY

Od 600mm and 500mm
Single Inner Axle rubber
thickness 50 mm, width
of the wheel is 250mm
load per Wheel (subject
to mounting limitations)
4000 kg

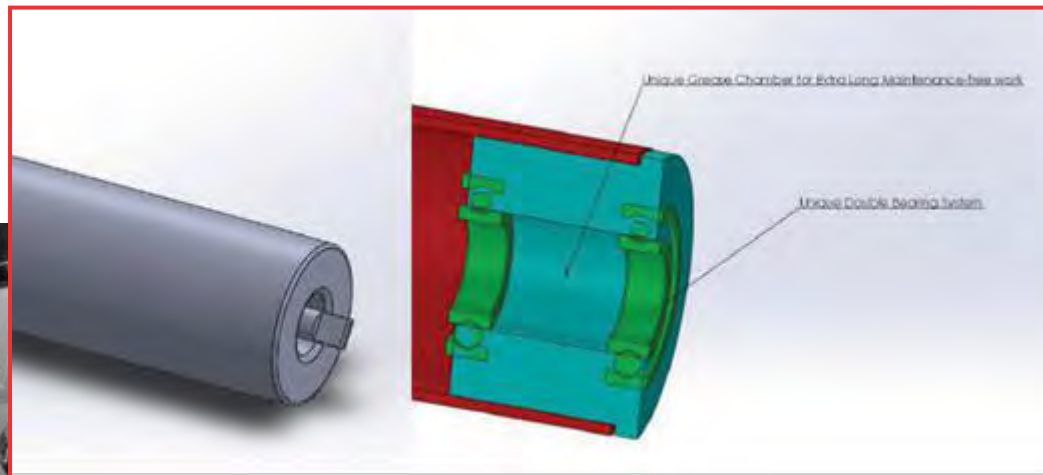


PRODUCTS

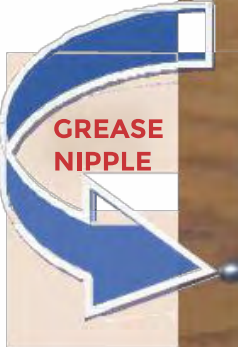
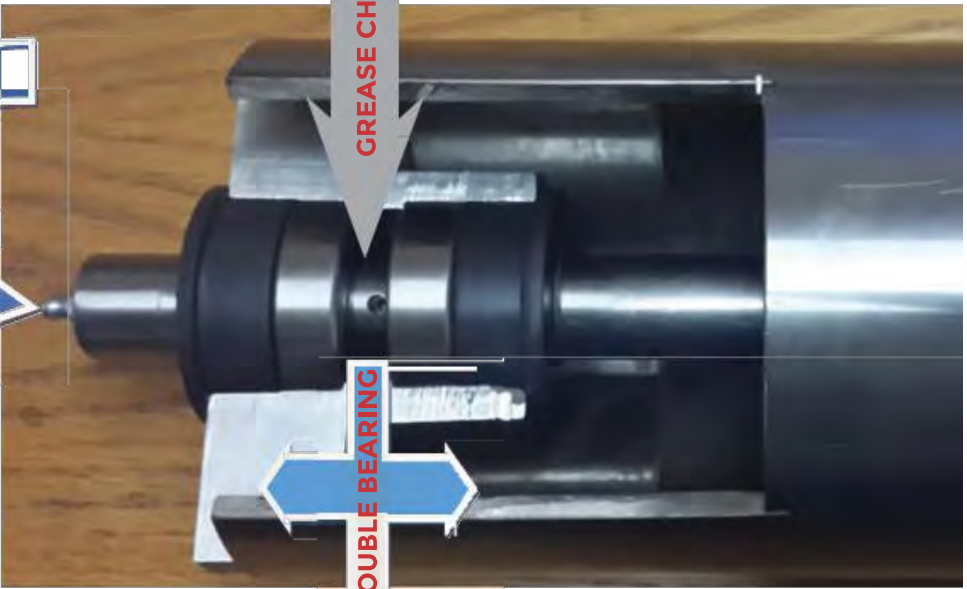


UNIQUE DESIGN QUADRA BEARING CONVEYOR ROLLERS WITH LUBRICATION CHAMBER

- A-SIZE OD125MM
- 290 MM
- 510 MM
- 840 MM
- CUSTOM

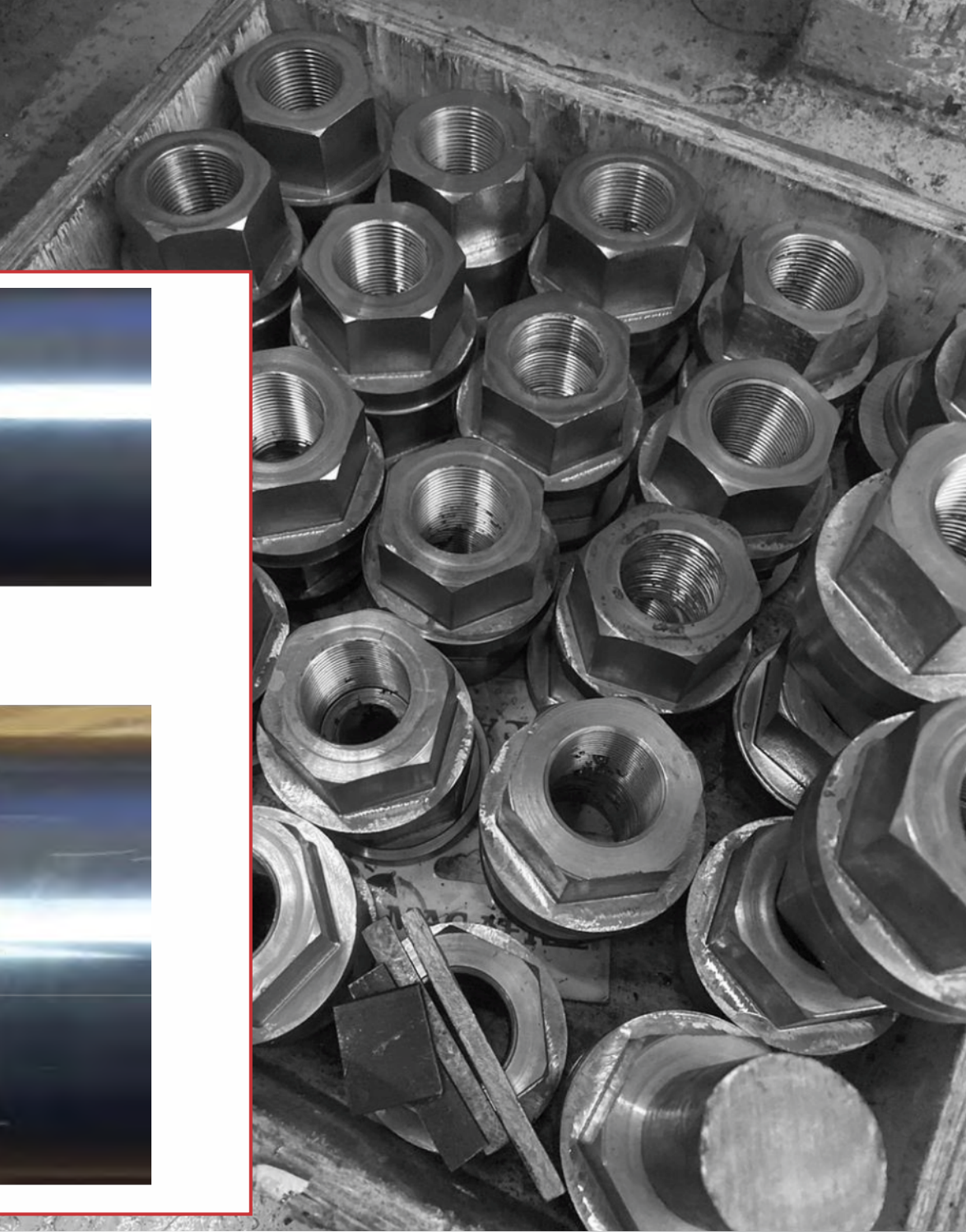


PRODUCTS



GREASE CHAMBER

DOUBLE BEARING

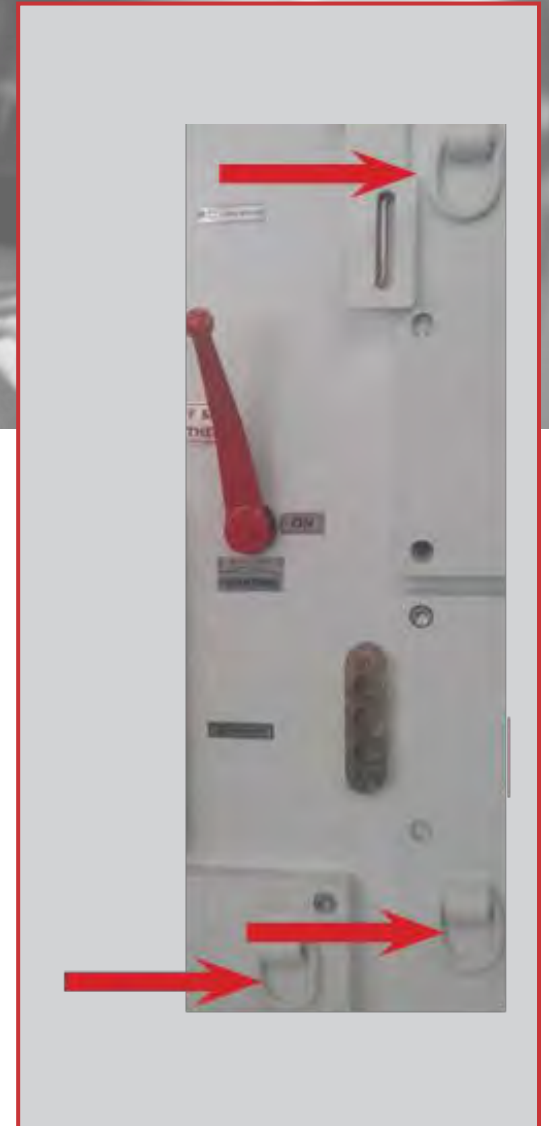


PRODUCTS

SPECIAL PASSIVATED WASHERS
FOR FLAMEPROOF FILLINGS



WELD ON LUGS
(SIZES AS PER REQUEST)





YOUR BEE CONTRIBUTION COMPANY
(EME306524)

YOUR SA ENGINEERING COUNCIL REGISTERED SUPPLIER
(960002)

ESKOM VENDOR
N: # 11079786

COMPANY REGISTRATION
CK 1996/58488/23

INTELPRO ENGINEERING

Unit 2, 271 Samantha Street, Strydom Park Randburg